

# iX Panel T21C

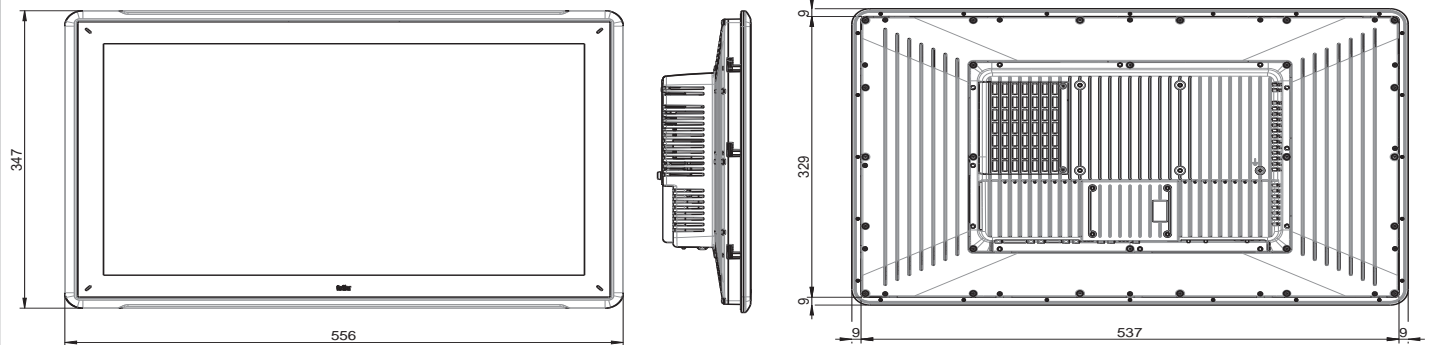
Large 21.5" Display Industrial PC with Automation Software

The iX Panel T21C Industrial PC features a large 21.5" widescreen TFT display with touch screen, powerful processor and iX software with universal connectivity.



## Product Highlights

- ▶ 1920 x 1080 pixel, 21.5" diagonal, LED lighted, TFT color LCD display with touch screen
- ▶ Two 10/100/1000Base-T Ethernet ports
- ▶ Four serial ports (RS-232, -422/485)
- ▶ Powder-coated aluminum housing
- ▶ iX Software with protocols for most industrial automation controllers



Dimensions shown in mm.

## iX Panel T21C Specifications

Feature	Detail	Description
Display	Type	1920 x 1080, TFT Color LCD
	Size	21.5"
	Lighting	White LED
	Brightness	250 cd/m2
Touch Screen	Type	Analog-resistive
Interface	Ethernet	Two 10/100/1000Base-T
	Serial	Two RS232, two RS422/485
	USB	Four USB 2.0
	Communication Modules	CAN, MPI (pending)
Processor	Type	Intel® Celeron® B810E (2x1.6 GHz) / Intel® Core™ i7-2715QE (4x2.1 GHz)*
Memory	Main	2 GB or 4 GB DDR3 depending upon processor (with ECC support)*
	Application	8 GB CFC or 64 GB 2.5" SSD*
	Expansion	mini PCIe
Realtime Clock	Standard	Battery-backed
Power	Input Voltage	+24 VDC (18-32 VDC)
	Consumption	125 Watts (depending upon configuration)
Mechanical	Type	Panel-mount and VESA 100 x 100
	Size WxHxD	556 x 347 x 87 mm
	Cut-out Dimensions WxHxD	539 x 331 x 79 mm
	Mass	8.1 kg
	Housing Material	Powder-coated aluminum

Environmental	Protection (front/rear)	IP65 / IP20
	Temperature	Operating: 0 to 50 °C; Storage: -20 to 70 °C
Certifications	UL	UL 508 (pending), DNV (pending)
	CE	EN61000-6-4, EN61000-6-2

Software	Operating System	Windows® 7, Windows Embedded® 7
	Development Environments	iX Developer
	Runtime Environments	iX Software

\* configuration depending on customer request



### US Office

Beijer Electronics, Inc.  
2212 South West Temple #50  
Salt Lake City, Utah 84115-2648 USA

www.BeijerElectronicsInc.com / 801-466-8770

### Headquarters

Beijer Electronics Products AB  
P.O. Box 426  
201 24 Malmö, Sweden

www.BeijerElectronics.com / +46 40 35 86 00

M01-081-00 REV 01  
10 APRIL 2012

Copyright © 2012 Beijer Electronics. All rights reserved.

The information at hand is provided as available at the time of printing. Beijer Electronics reserves the right to change any information without updating this publication. Beijer Electronics does not assume any responsibility for any errors or omissions in this publication.