

BC1205 BC2403

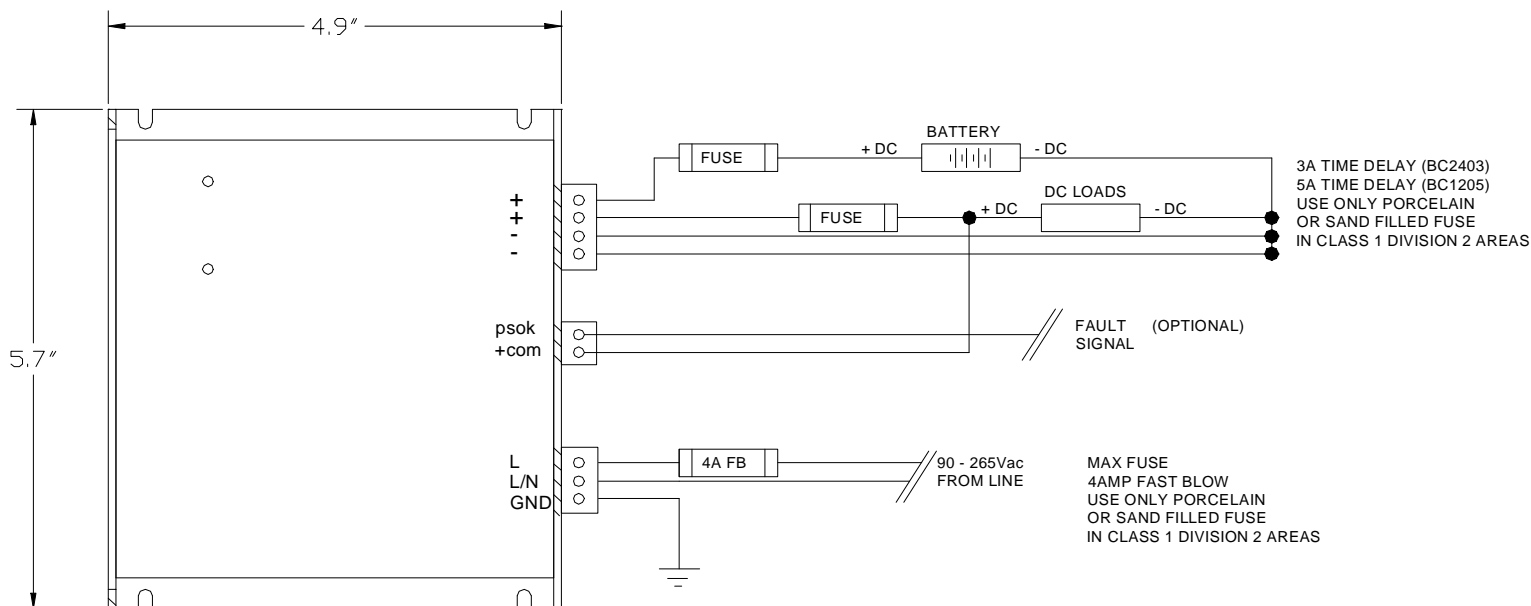
Universal Input Switchmode Power Supply / Charger

Product Description

The BC series of switching power supply has been designed to operate 12 and 24 volt systems and systems where battery back-up is required. The case design allows for base or side mounting.

Features

- universal input 90 - 265 vac
- plug and socket connectors on input and output
- fault monitoring alarm output.
- adjustable output / charging voltage
- Power supply suitable for battery charging
- over current and short circuit protection
- common bus for battery and loads



Specifications

	BC 1205	BC2403
Input voltage	90 - 265 Vac 50 - 60 Hz	90 - 265 Vac 50 - 60 Hz
Input protection	fuse 4a (non replaceable)	4a (non replaceable)
	inrush thermistor	thermistor
	over voltage varistor	varistor
Output	adjustable 12 - 14.5 Vdc 5 amp	adjustable 24 - 28 Vdc 3 amp
overload protection	shut down on over current, auto restarting	shut down on over current, auto restarting
fault alarm	12 volt (active low)	24 volt (active low)
operating temperature	-40 - +60 deg. C	-40 - +60 deg. C
certification	QPS ExnA IIB, C1D2 GP. C,D	ExnA IIB, C1D2 GP. C,D

** not for use with NiCad or Lion types, check with battery manufacturer for suitability