

InstaLink™-PLI

Passive Loop Interface



- Provides terminals for a 2 wire current loop and a shield
- Make-before-break test jack for temporary connection of a meter
- Test points for a HART® device
- Mounts on 32 and 35mm DIN rails

The InstaLink™-PLI combines the features of three terminal blocks used to interface a current loop to a PLC or DCS - two feedthrough terminals and a ground terminal for the shield. But it also includes a make-before-break connector as well as HART® protocol test points. The module is passive and requires no power.

Like many of the InstaLink™ modules the PLI module includes a make-before-break connector that allows a

meter to be inserted into the input loop and removed without causing a momentary interruption of the loop. A test cable is available.

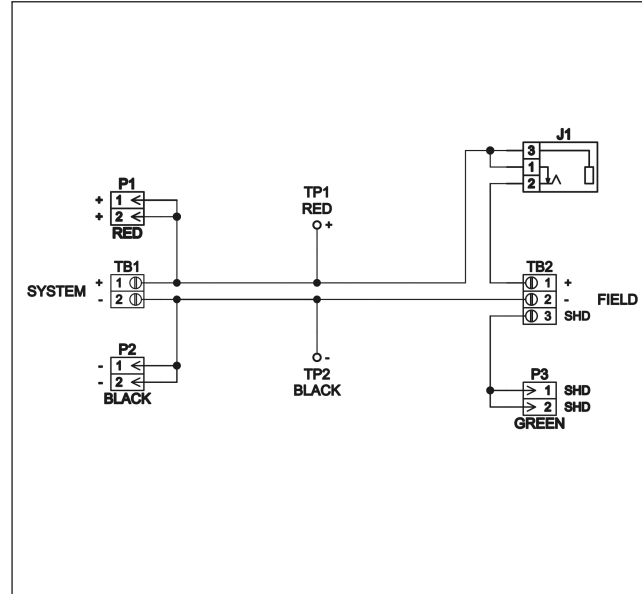
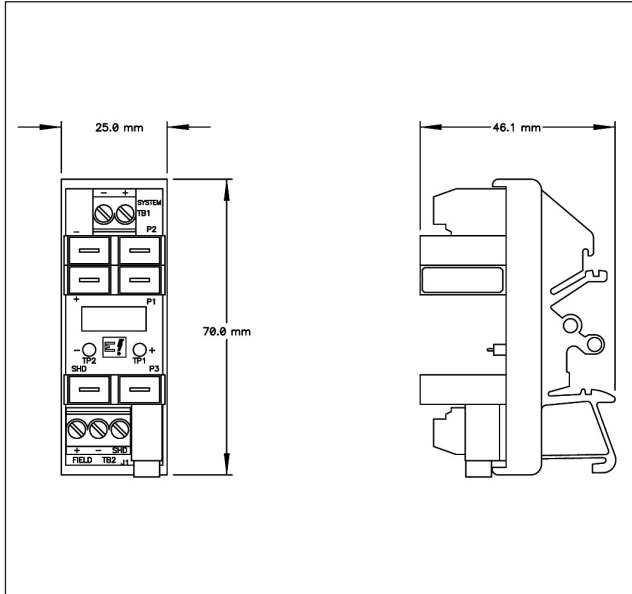
A jumpering system is provided for the shield in the transmitter cable and the 24Vdc supply. The jumpers use 0.187" push-on terminals. Jumpers are provided with the module .

The Instalink™-PLI is one of four InstaLink™ modules designed for 4-20mA loop applications and is the

most basic. The others are the CLM current limiter, the GLF ground loop filter and the CLI loop isolator.

Ordering Information

InstaLink™-PLI	330008
Test Cable	330035



SPECIFICATIONS

	InstaLink™- PLI
Catalog Number	330008
Input:	4-20mA plus shield
Output:	4-20mA
Cross connections:	24V, 0V (only one would be cross connected based on whether the field transmitter sources or sinks the PLC/DCS analog input) and shield
Test points:	Make-before-break connector for current measurement and 2 HART protocol test points
Terminations:	26-12 AWG
Dimensions:	25 x 70 x 45mm
Mounting:	32 or 35mm DIN rail
Approvals:	UL US LISTED, E256770
Additional jumper:	330114