



- Limits overcurrents and overvoltages in control loops.
- Overvoltage automatically blows fuse.
- cCSAus certified for use in Class 1 Division 2 and Zone 2 applications.

The DEPRO® -FOVP module provides overcurrent protection and overvoltage protection for 24Vdc control loops. Most commonly used with digital input and output circuits the module is designed for use in Class 1 Division 2 applications.

A fuse limits the current to the field while an electronic circuit monitors the voltage and blows the fuse if an overvoltage condition occurs. The fuse is a standard 5x20mm glass type

fuse and is socket mounted under a protective cover. The maximum fuse rating is 2A. Standard 5x20mm fuses are suitable for non-overload C1D2 applications - see application note at www.emphatec.com.

An LED is included to indicate the module is powered and the fuse is healthy.

The overvoltage protection is intended to provide protection against

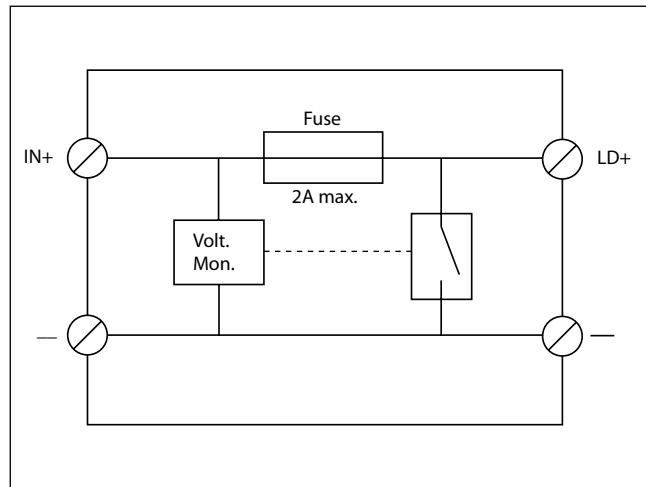
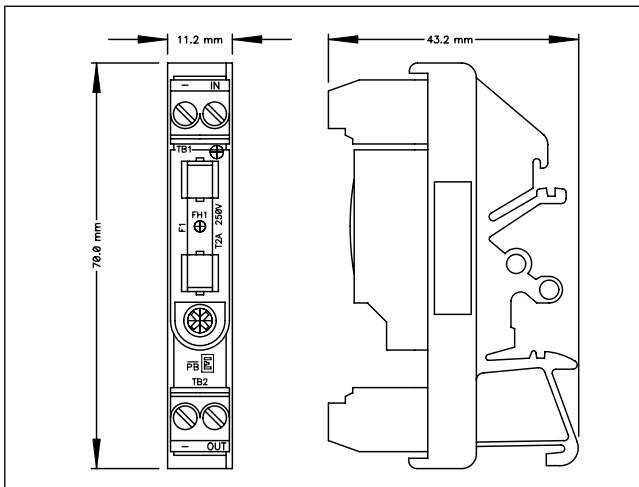
arcing and also damage to field devices in the event of a failure in the 24V power supply. If the power supply output voltage exceeds 32Vdc the fuse on the DEPRO® -FOVP module will blow.

Ordering information

Catalog number **330111**

DEPro® -FOVP	
Catalog Number:	330111
Voltage:	24Vdc nominal
Current:	2A max.
Fuse:	5 x 20mm, glass type, 2A max. (provided) Customer can install with lower current ratings.
Overvoltage Threshold:	30-32Vdc, if the input voltage exceeds this level the buse is blown and the output de-energized. Guaranteed off at 32Vdc.
Temperature:	-20°C to +40°C operating ambient
Terminations:	26 - 12 AWG 0.5 0.6Nm torque, 6mm stripping length
Approval:	cCSAus Class 1 Division 2 Groups A, B, C and D Temperature code T6, Ex nA IIC, Zone 2 AEx nA IIC

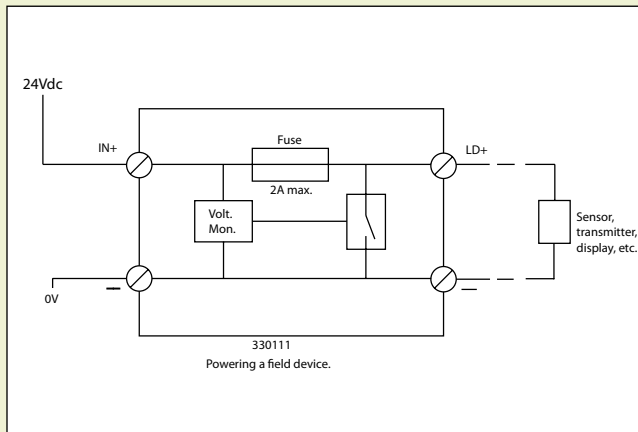
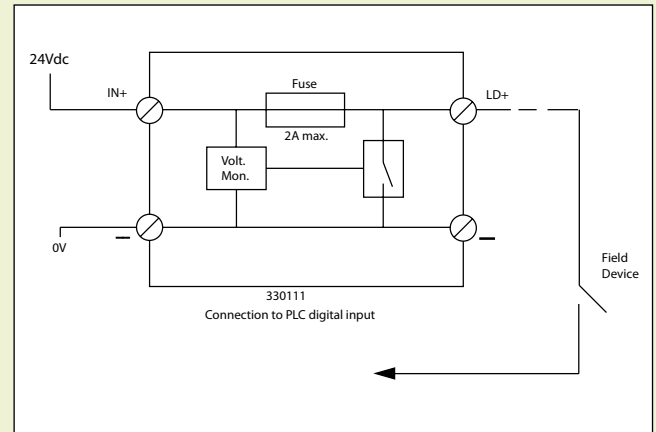
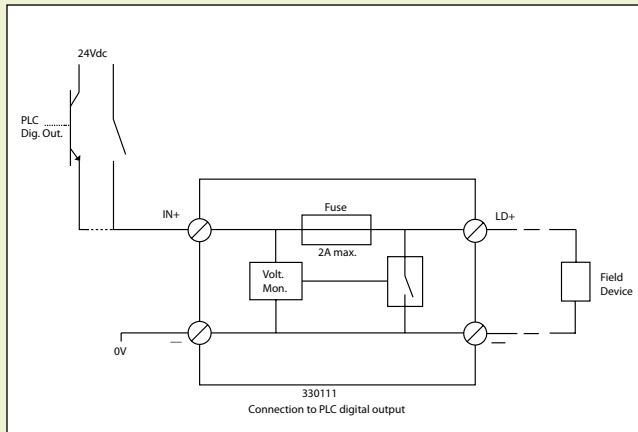
Spare fuse cover and retaining screw (package of 8): **Catalog Number 330316**



WARNING

FOR CLASS 1 DIVISION 2 APPLICATIONS

EXPLOSION HAZARD: SUBSTITUTION OF COMPONENTS MAY IMPAIR SUITABILITY FOR CLASS 1, DIVISION 2; DO NOT DISCONNECT UNLESS POWER HAS BEEN SWITCHED OFF OR THE AREA IS KNOWN TO BE NON-HAZARDOUS



NOTE: 24V power supply must be able to provide sufficient current to blow the fuse before shutting off. To verify this connect, the DEPRO® -FOVP with the intended fuse installed to the power supply and short the output terminals – the fuse should blow without the power supply shutting off. If not, reduce the current rating of the fuse.

Other Class 1 Division 2 certified products.



DC Plus® Power Supplies

- 24Vdc at 7.5, 15 or 25A
- Universal, 120/230Vac input
- Compact, 35mm DIN rail mounted



DEPRO® Fuse Monitors

- Monitors up to 8 fuses or circuit breakers and provides an alarm if one or more fails
- 2 versions available – 24Vdc and 120Vac
- Plug and socket connections



DEPRO® FRM5

- Relay with fused contacts
- 24Vdc coil, 5A contacts
- Compact, requires just 20mm of DIN rail



DEPRO® 8 Channel Opto

- 8 isolated optocouplers in a 22.5mm housing
- Wide range input: 10-150Vdc, 70-120Vac
- Outputs rated 24Vdc @ 40mA max. per channel
- All connections via plug & socket connections