

- Eight socket mounted micro fuses.
- Compact packaging minimizes space between wire ducts.
- cCSAus Class 1 Division 2 and Zone 2 certified.



This module provides fusing and power distribution in one module. The input is bussed to 8 fuses and each output provides + and - terminals. The fuses are the micro style (Littelfuse / Wickmann TR5 or equivalent) rated 2A max. The total current rating for all 8 channels is 10A.

The 35mm DIN rail mounted package is designed to require minimal space between wire ducts.

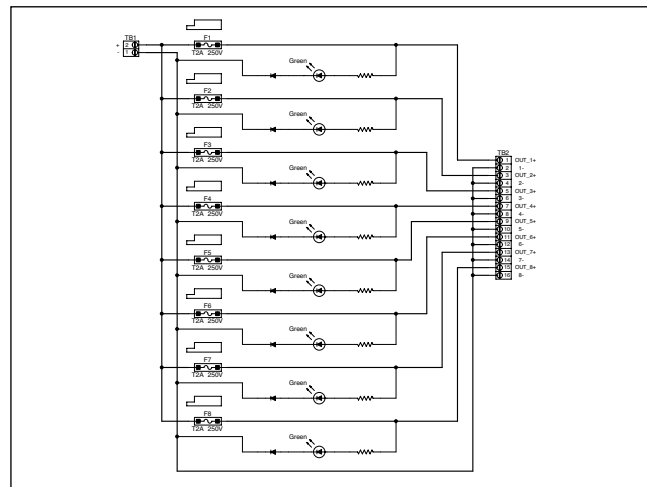
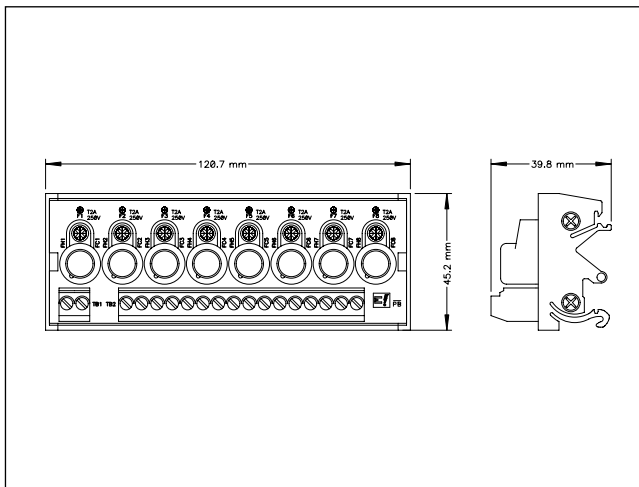
Fuses are socket mounted beneath protective covers. Emphatec offers the module with 0.5A, 1.0A or 2.0A fuses installed. Each fuse has an associated status LED that provides fuse healthy indication. The DEPRO® -FMM/8/24V is designed for 24Vdc applications only.

#### Ordering Information

0.5A Fuses	<b>330198-05</b>
1.0A Fuses	<b>330198-10</b>
2.0A Fuses	<b>330198-20</b>
Without Fuses	<b>330198-00</b>

<b>DEPRO® -FMM/8/24V</b>	
<b>Catalog Number:</b>	<b>330198</b>
<b>Voltage:</b>	24Vdc nominal
<b>Current:</b>	2A max. per channel 10A max. total
<b>Fuse:</b>	Micro style Littelfuse / Wickmann TR5 or equivalent
<b>Status LED:</b>	Green on = fuse healthy
<b>Temperature:</b>	-25°C to +45°C operating ambient
<b>Terminations:</b>	Inout/output: 26 - 12AWG 0.5-0.6Nm 6mm stripping length
<b>Approval:</b>	cCSAus Class 1 Division 2 Groups A, B, C and D Temperature code T6, Ex nA IIC, Zone 2 AEx nA IIC

Spare fuse cover and retaining screw (package of 8): **Catalog Number 330315**

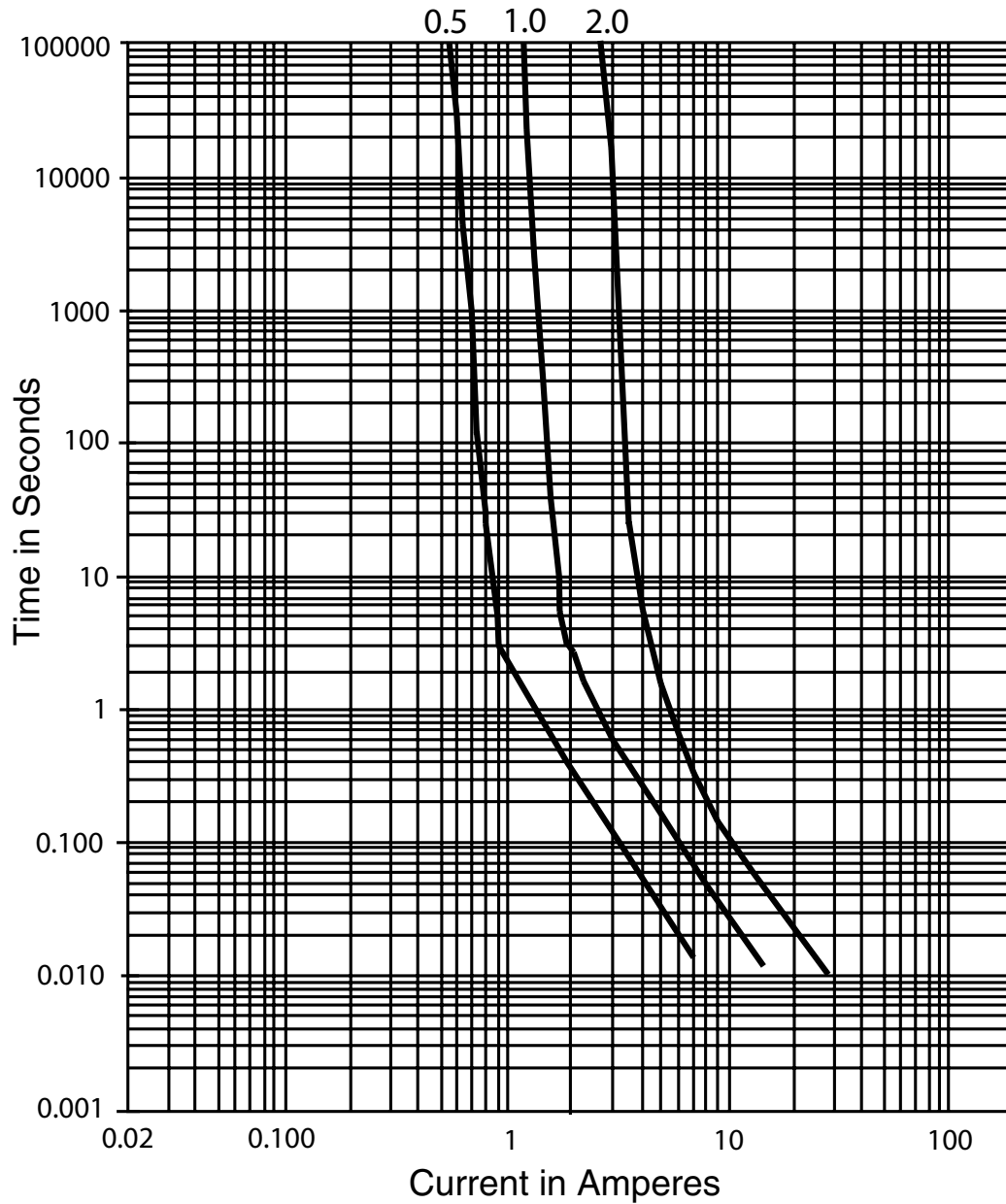


**WARNING**

**FOR CLASS 1 DIVISION 2 APPLICATIONS**

**EXPLOSION HAZARD:** SUBSTITUTION OF COMPONENTS MAY IMPAIR SUITABILITY FOR CLASS 1, DIVISION 2; DO NOT DISCONNECT UNLESS POWER HAS BEEN SWITCHED OFF OR THE AREA IS KNOWN TO BE NON-HAZARDOUS

## Average Time Current Curves





## Other Class 1 Division 2 certified products.

### DC Plus® Power Supplies

- 24Vdc at 7.5, 15 or 25A
- Universal, 120/230Vac input
- Compact, 35mm DIN rail mounted



### DEPRO® Fuse Monitors

- Monitors up to 8 fuses or circuit breakers and provides an alarm if one or more fails
- 2 versions available – 24Vdc and 120Vac
- Plug and socket connections



### DEPRO® FRM5

- Relay with fused contacts
- 24Vdc coil, 5A contacts
- Compact, requires just 20mm of DIN rail



### DEPRO® 8 Channel Opto

- 8 isolated optocouplers in a 22.5mm housing
- Wide range input: 10-150Vdc, 70-120Vac
- Outputs rated 24Vdc @ 40mA max. per channel
- All connections via plug & socket connections