




DEPRO® - FRM5/24V/5A Fused Relay Module

- Relay with fused contacts
- 24Vdc coil, 5A contacts
- Compact, requires just 20mm of DIN rail
-  certified for Class 1 Division 2 and Zone 2 applications.



The DEPRO®- FRM5/24V/5A combines a relay module and a fuse terminal to make a compact module that saves panel space and installation time.

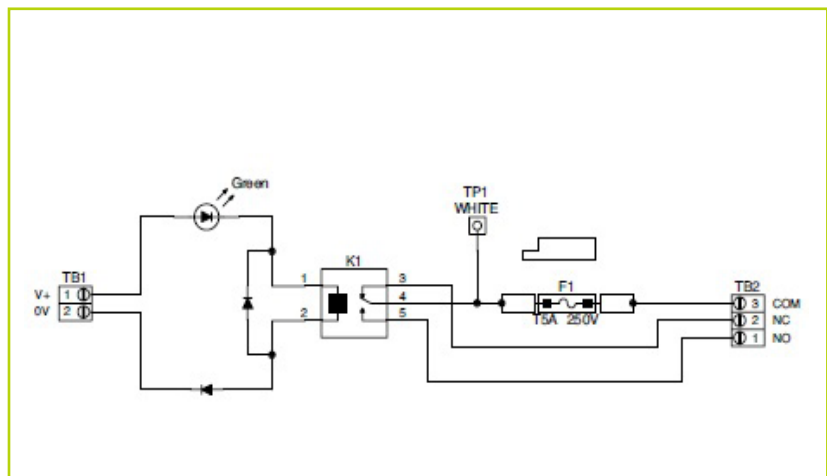
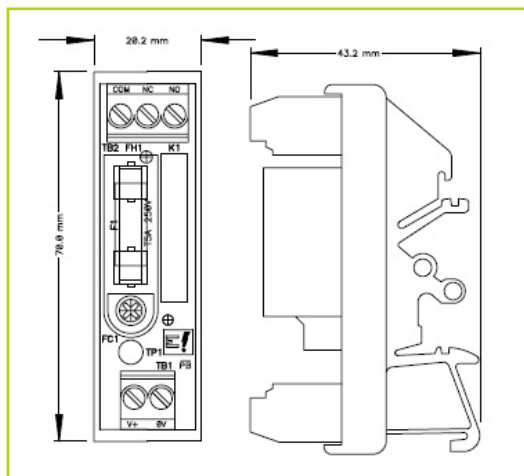
The output is a 1 form C (SPDT) contact with a fuse in series with the common connection. The contact is rated 5A max. at 30Vdc/230Vac. To increase vibration resistance the relay is soldered to the PCB. A green LED illuminates when the coil is energized.

Provision is made for a standard 5x20mm fuse (not included). These are suitable for non-overload C1D2 applications (see application note at www.emphatec.com). The socket mounted fuse is accessed by removing a single screw that holds the protective cover in place. A test point is provided to allow easy checking of the fuse condition - a voltage at this test point indicates a healthy fuse.



SPECIFICATIONS

Catalog number	330199
Coil	
Voltage:	24Vdc nominal
Current:	7mA nominal
Status LED:	Green
Contacts	
Rating:	5A max. at 24Vdc / 230Vac
Configuration:	1 form C (SPDT)
Fuse	
Type:	5x20mm
Rating:	5A max.
Test Point:	Allows connection of a voltmeter to the load side of the fuse. Other test lead is connected to the neutral or 0V of the supply feeding the common contact. A voltage indicates the fuse is healthy.
Other Specifications	
Terminations:	26 - 12AWG 0.5 - 0.6Nm, 6mm stripping length
Approvals:	cCSAus Class 1 Division 2 Groups A, B, C, D, Temperature code T5 Ex nA IIC, Zone 2, AEx nA IIC



WARNING

FOR CLASS 1 DIVISION 2 APPLICATIONS

EXPLOSION HAZARD: SUBSTITUTION OF COMPONENTS MAY IMPAIR SUITABILITY FOR CLASS 1, DIVISION 2; DO NOT DISCONNECT UNLESS POWER HAS BEEN SWITCHED OFF OR THE AREA IS KNOWN TO BE NON-HAZARDOUS