

DEPRO® - QTD

Quarter Turn Disconnect Modules



- Screwdriver operated disconnect with clear visual indication of position
- Version available with status outputs
- Class 1 Division 2 / Zone 2 certified

The DEPRO® - QTD modules are perfect examples of what we call Emphatically Unique products! These modules are designed for use in low current (up to 1A) applications and provide an easy means of temporarily disconnecting a signal. The disconnect is operated using a screwdriver and can be secured in the open position. Best of all they can be operated under load.

There are other quarter turn disconnect products available but be careful – read the literature closely and you might find

they cannot be operated under load.

This means before you can use them as a disconnect you must first disconnect the power to them! The DEPRO® - QTD modules use a sealed switch that has been tested for use in hazardous locations. This allows the QTD modules to be operated under load even in Class 1 Division 2 and Zone 2 hazardous locations.

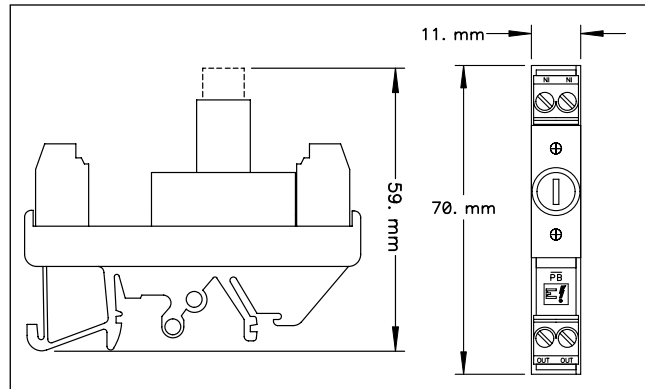
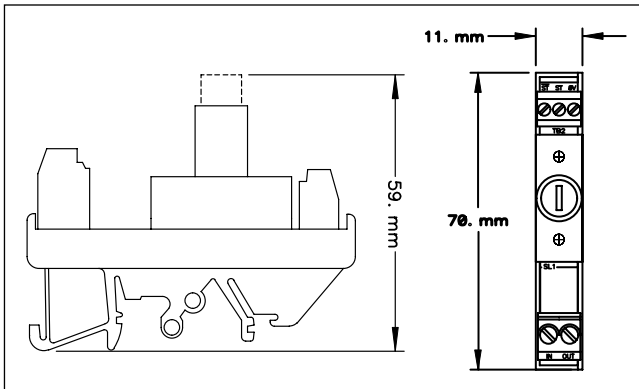
Four versions are currently available; the basic QTD/1A, the QTD/28V/1A and QTD/120V/1A with an LED to indicate

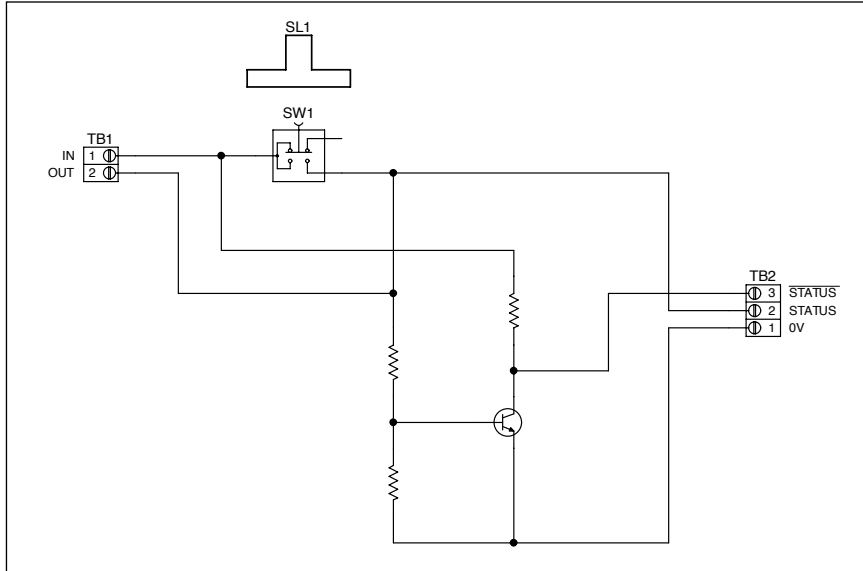
the contact is closed, and the QTD/ST with digital outputs to indicate the position of the contact.

Ordering information

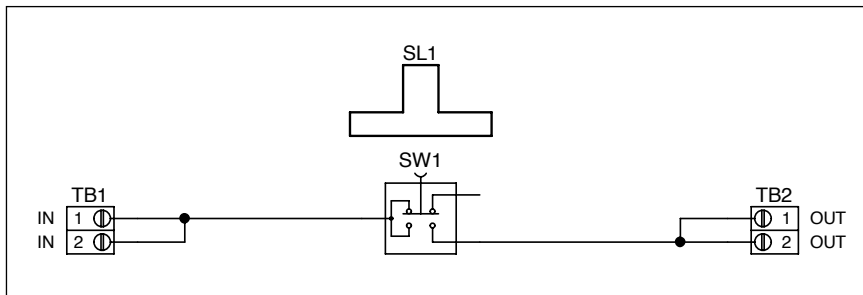
Catalog number	
DEPRO® - QTD/1A	330241
DEPRO® - QTD/28V/1A	330242
DEPRO® - QTD/120V/1A	330243
DEPRO® - QTD/ST	330240

DEPRO® - QTD				
Catalog Number:	QTD/1A 330241	QTD/28V/1A 330242	QTD/120V/1A 330243	QTD/ST 330240
Voltage:	28Vdc/120Vac	28Vdc	120Vac	28Vdc
Current:	1A			
Status LED:	N/A	Green, on = contact closed		N/A
Digital Outputs:	N/A			28Vdc, 50mA max sourcing STATUS, on = contact closed STATUS, on = contact open
Terminations:	26-12AWG 0.5-0.6Nm torque 6mm stripping length			In/Out 26-12AWG 0.5-0.6Nm torque 6mm stripping length Digital outputs 28-14AWG 0.2-0.25Nm torque 5mm stripping length
Temperature:	-20° to +50°C ambient			
Mounting:	32mm and 35mm DIN rails			
Approvals:	cCSAus Class 1 Division 2 Groups A,B,C and D Temperature code T6 Zone 2, EX nA IIC			

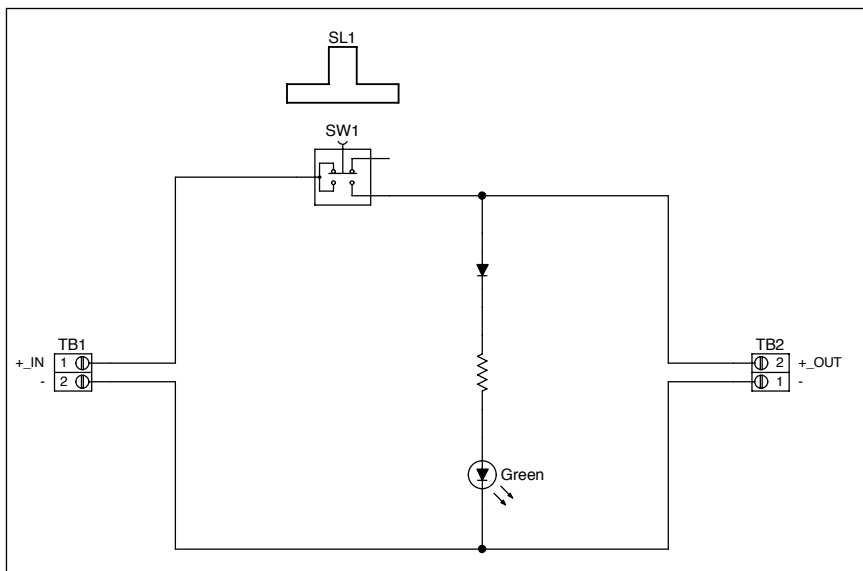




330240



330241



330242
330243



Provision for a wire or tie-wrap to secure the disconnect in the open position.



Disconnect Open



Disconnect Closed