

MODULUS

Spread Spectrum Radio Modules - 1120MA

Modulus Spread Spectrum Radio modules wirelessly interconnect Modulus SCADA controllers with 900MHz 1 watt license-free spread spectrum radios. Every module can serve as a repeater for extended radio system coverage. The 8x-5x03 modules are compatible with the older Xtend radios used in previous generations of ICL SCADA controllers. The 8x-5x04 modules are newer technology radios with improved radio performance. These modules also support standard **wired** communications with Modbus, DF1, SDI-12 and Ethernet IP, as well as Ethernet-Serial bridging and Ethernet Routing.

Modulus Spread Spectrum Radio modules have built-in analog and digital I/O for tank level monitoring, and pump control applications such as wells, lift stations and booster pumping stations. They can also serve as communications concentrators with intelligent links to smart monitoring and control devices such as variable frequency drives and power meters.

Modulus Spread Spectrum Radio modules have a general purpose serial port that supports multiple types of interfaces; RS-232, RS-485 (2-wire), RS-422 (4-wire), and SDI-12. The buss port may also be used as a general purpose RS-485 serial port if not used for high-speed bus communications with other Modulus I/O modules.

STANDALONE OPERATION

Modulus Spread Spectrum Radio modules can serve as standalone devices with SCADA communications, local and web human machine interfaces (HMIs), historical trending and data logging, alarming, reporting, and programmable logic.

COMMUNICATIONS

Modulus Spread Spectrum Radio modules have an Ethernet port and a general purpose serial port to communicate with Modbus devices and Allen Bradley PLCs. The module can serve as a communications concentrator or master controller. Ethernet to Serial bridging, and Ethernet routing to other Modulus modules' Ethernet ports, is also supported.

GRAPHICAL, MOBILE, AND LOCAL HMIs

Configurable graphical web and mobile device interfaces are built into the Spread Spectrum Radio modules. The front panel display can also be customized to show live process values and states, and make setting changes.

HISTORICAL TRENDING AND EVENT LOGGING

Modulus Spread Spectrum Radio modules have an internal solid state flash disk, as well as a micro SD memory card slot to record over 100 years of data! Use built-in web tools to retrieve and display historical trend and event data and extract it as spreadsheet files.

REPORTING

Reports can be created in minutes showing live values, production totals, trend and event data, alarm summaries, etc. Customize reports with your own logos and graphics. Call up reports on demand, or have them automatically transferred to your computer.



Standard I/O models

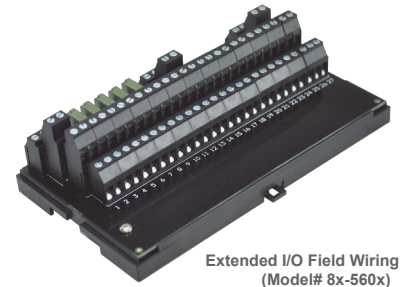
8x-5103 1DI, 1DO, 2AI (legacy)

8x-5104 1DI, 1DO, 2AI (new)

Extended I/O models

8x-5603 17DI, 6DO, 4AI, 4AO (legacy)

8x-5604 17DI, 6DO, 4AI, 4AO (new)



Extended I/O Field Wiring Panel
(Model# 8x-560x)

Modulus Spread Spectrum Radio Modules

- 1 ETHERNET PORT
- 1 1W 900MHZ LICENSE-FREE SPREAD SPECTRUM RADIO
- 2 SERIAL PORTS (1 GENERAL PURPOSE AND 1 BUS PORT)
- 1 DISCRETE/HIGH-SPEED PULSE INPUT
- 1 DISCRETE OUTPUT (PROTECTED FET)
- 2 ANALOG INPUTS (PROCESS—mA)

Extended I/O model 8x-560x adds Field Wiring Panel with an additional:

- 16DI (OPTO), 5 DO (RELAY), 2 AI (20MA), 4AO (20MA)

ALARMING

A Spread Spectrum Radio module can manage alarm conditions on any of its local inputs, as well as over 500 conditions monitored by communications with other devices. Alarms conditions can be displayed locally and annunciated with its discrete output, as well as with a Modulus Cellular Communications module for text message and e-mail alerts. The module maintains a journal spreadsheet file of when alarms occurred, when they were acknowledged, by whom, and when the alarm conditions cleared.

PROGRAMMABLE LOGIC

Spread Spectrum Radio modules support programmable logic written in ladder logic, function block and text languages; all with 32-bit and floating point math. Programmable logic can supplement the built-in functions of the module.

PID & PUMP CONTROL

Spread Spectrum Radio modules have a quad PID controller and a triplex pump controller (float or level control) with error detection and alarming. Without requiring any additional modules, the Spread Spectrum Radio Module is an ideal solution for SCADA operation of wells, lift stations, and booster pump stations.

REDUNDANCY

Spread Spectrum Radio modules support redundancy for enhanced reliability. If a module goes off-line, a designated backup can take over automatically.

Modulus Spread Spectrum Radio Communications Module - 1120MA Specifications

STANDARD FIELD I/O

Digital Inputs:

- 1 Non-isolated DC or contact closure, DC to 20KHz maximum
- Input Range: Contact closure/open collector driver to ground, or 0 to 30Vdc (ON=<1.5V, OFF > 2.5V), **60Vdc absolute maximum**
- Input Current: Approximately 0.5mA (internal current source)
- Filtering: Individually configurable: 5Hz, 10Hz, 20Hz, 50Hz, 100Hz, 500Hz, 1KHz, 2KHz, 5KHz, 10KHz+

Digital Outputs:

- 1 Solid-state Protected FET high-side driver (switches to input power when ON)

Output Rating: 30Vdc, 2A maximum, current limited to approximately 2.25A.

Analog Inputs:

- 2 16-bit, Delta Sigma, selectable input ranges
- 20mA (minimum input for full accuracy is 0.5mA)

Maximum signal level 35Vdc on any range, **40Vdc absolute maximum**

EXTENDED FIELD I/O (adds to the above with I/O terminations on Field Wiring Panel with 24" cable)

Digital Inputs:

- 16 Optically Isolated, bipolar (AC/DC, not polarity sensitive)
- I/O Range: 0 to 30V (OFF < 6V, ON>9V), **60V absolute maximum**
- I/O Current: 1.2mA @ 12V, 3mA @ 24V
- Filtering: Individually configurable: 5Hz, 10Hz, 20Hz, 50Hz, 100Hz, 500Hz, 1KHz, 2KHz+

Digital Outputs:

- 5 Relays, Form A (normally open) Dry Contact- Relays purchased and installed separately as needed (into sockets provided). Relay part# **80-1001**

Contact Output Rating: 250 Vac, 30Vdc, 5A maximum per output (resistive load).

A snubber diode (DC) or RC snubber (AC) must be used across the relay contacts or load connections for **any** inductive load.

Analog Inputs:

- 2 16-bit, Delta Sigma, individually selectable input ranges
- 20mA (minimum input for full accuracy is 0.5mA)

Maximum signal level 35Vdc on any range

Analog Outputs

- 4 12-bit

Output Ranges: 0 to 20mA

COMMUNICATIONS

Ethernet:

- 1 10/100mb/s (10/100 Base-T)
- Modbus TCP & UDP (master/slave), Ethernet IP (master/slave PLC5 & SLC5/05 emulation), Ethernet to Serial bridging
- SCADA Protocols HTTP (server), FTP (server & client), ICMP (ping; server & client), NTP (client), DHCP (server & client), DNS, DDNS
- Internet Protocols

Wireless:

- 1 900MHz 1W (30dBm) Frequency Hopping Spread Spectrum Spread Spectrum radio, -110 dBm sensitivity @ 9.6kbps
- [8x-5x03]** -110 dBm sensitivity @ 9.6kbps **[8x-5x04]** -113 dBm sensitivity @ 9.6kbps

Serial:

- 1 RS-232, RS-485, RS-422, SDI-12 (for general purpose communications)
- 1 RS-485 Bus port (this port is available for general purpose communications if not used for high-speed bus communications with other modules)

Baud Rates (all ports) 115K, 38.4K, 19.2K, 9600, 4800, 2400, 1200 baud.

Protocols Modbus RTU (master/slave), DF1 (slave), SDI-12 (general purpose port only)

HMIs

Local: 128x32 graphical, wide temperature range yellow OLED and single pushbutton

Graphical: Web based, graphic library included. Compatible with most browsers, including Internet Explorer, Firefox, Chrome, Safari, Android

Mobile: Web based, text only, up to 50 registers. Compatible with most browsers, including Internet Explorer, Firefox, Chrome, Safari, Android

PROGRAMMING

Languages: Ladder Logic, Function Block, Text—built-in web based graphical and text editor and debugger

Capacity: 64KB logic, 2MB source code, 32-bit integer and floating point math

STORAGE

Registers: 504 Numeric registers, 504 Boolean registers

Internal Flash disk: 32MB

Removable disk: Micro SD Card (up to 256GB, supplied by customer)

CLOCK

Real Time Clock: Temperature compensated with lithium battery backup power

Stability +/- 3ppm from -30°C to 70°C

GENERAL

Input Power: 10Vdc to 30Vdc

Power Consumption

Not using Ethernet 18mA @ 12Vdc / 13mA @ 24Vdc (Ethernet power saver enabled)

Using Ethernet 78mA @ 12Vdc / 43mA @ 24Vdc

Radio Transmitting Add 300mA @ 12Vdc 150mA @ 24Vdc in short transmit bursts

Field Wiring Termination: **[81-510x, 81-560x]** screw terminal blocks **[82-510x, 8-560x]** lever terminal blocks, 3.5mm, 22 to 14GA wires

[81-560x, 82-560x] Added I/O on Field Wiring Panel: 2-tier, 5.08mm screw terminal blocks, 22 to 14GA wires

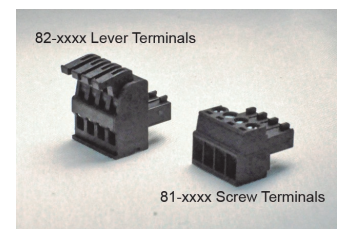
Antenna Connector: RP-SMA female (male pin center conductor)

Temperature: -40°C to 70°C (operating), -40°C to 85°C (storage)

Humidity: <95% RH (non-condensing)

Enclosure: Polyamide, light gray (RAL 7035)

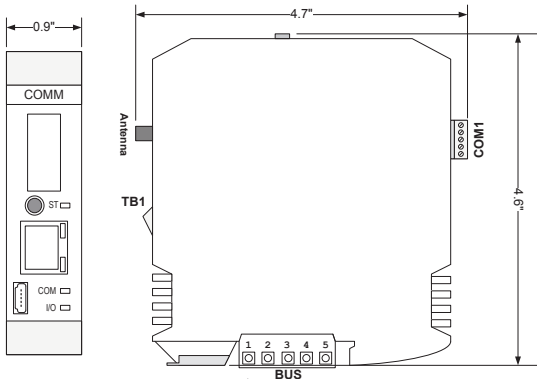
Mounting: 35mm DIN rail with bus connector block



Specifications subject to change without notice. Consult factory to ensure that you are working with current information.

Modulus Spread Spectrum Radio Communications Module - 1120MA DIMENSIONS and WIRING

DIMENSIONS and WIRING

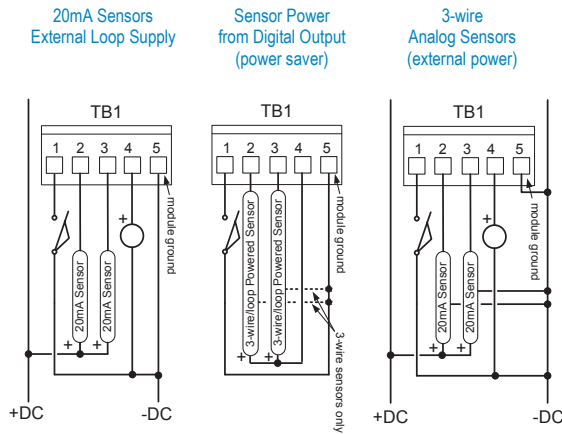


Terminal	Function
1	-485
2	+485
3	RESET#
4	GND
5	+V

TB1 terminals	Inputs/Outputs
1	DI1
2	AI1
3	AI2
4	DO1
5	GND

Refer to the installation manual for additional installation details and precautions.

DISCRETE & ANALOG INPUTS/OUTPUTS—TB1



All discrete and analog inputs/outputs are referenced to the ground terminal (5). This terminal is connected internally to the modules power supply ground.

The Discrete Input accepts a contact closure or open-collector ("NPN" style) input signal. An external pull-up resistor is not required.

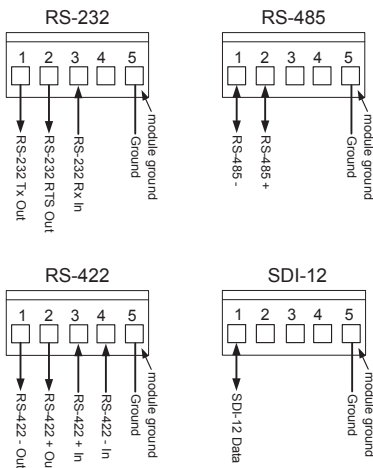
The Discrete Output sources current ("PNP" style) from the modules input power.

The Analog Inputs accept current signals. In low power applications, the analog sensors may be powered from the Discrete Output, configured to power the sensors on only when needed to take an analog reading (with configurable "warm-up" time).

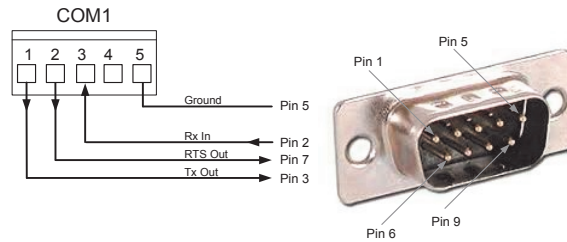
Contact ICL Customer Service for available pre-wired Field Wiring Panel

Extended I/O Wiring (8x-560x) shown on back page

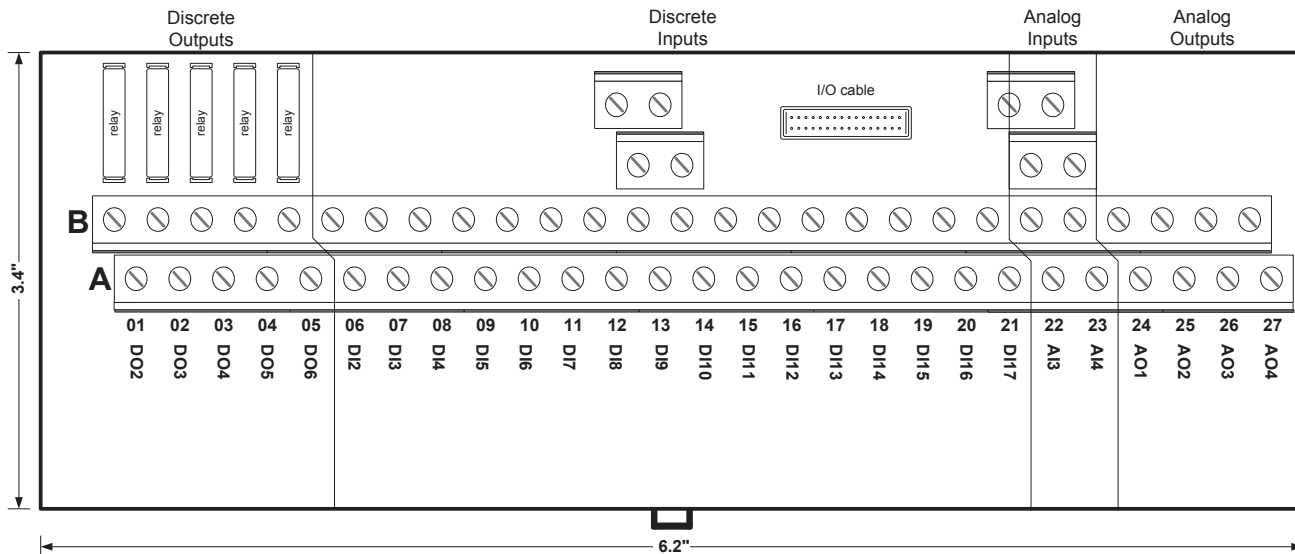
General Purpose Communications Port COM1 (modes are software configured)



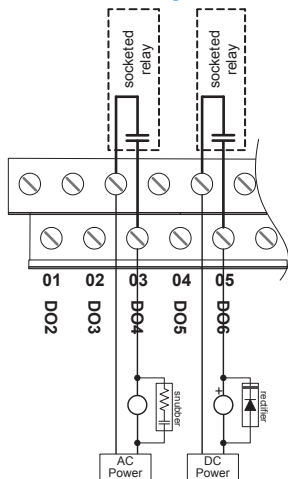
Typical COM1 RS-232 Wiring to Modem/Radio



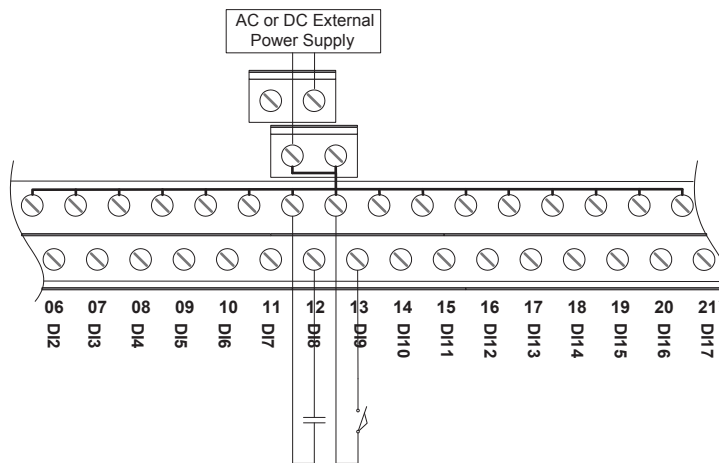
Extended I/O Field Wiring Panel 8x-560x



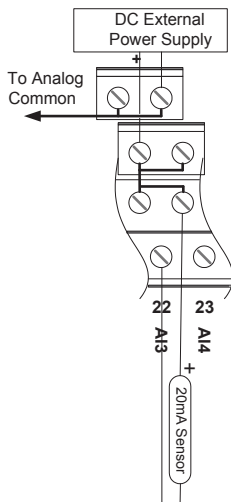
Discrete Outputs Wiring



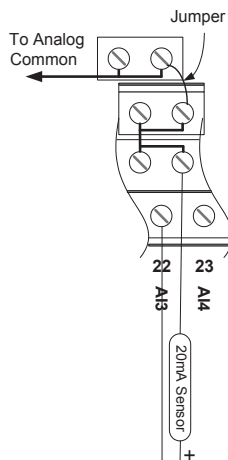
Discrete Inputs Wiring



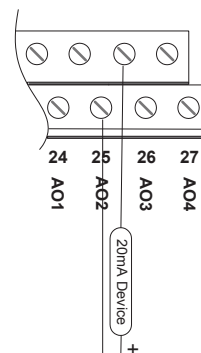
Analog Inputs Wiring Loop Powered Devices



Analog Inputs Wiring Self Powered Devices



Analog Outputs Wiring



Refer to the installation manual for additional installation details and precautions.