



ProFlame+™ Utility Grade Flame Scanner

ZPF-1200UV / ZPF-1200IR / Model ZPF-1200DS



The ZEECO® ProFlame+™ integrated flame scanner revolutionizes the industry by providing reliable flame detection and superior background flame discrimination for safer operation. Easily configurable set points using intuitive PC-based software also allows for in-depth flame analysis.

Design Features and Benefits

- UV or IR models available. Front mount or fiber optic available
- Compact, fully integrated and exceptionally reliable
- State-of-the-art digital signal processing for easy flame analysis
- Easily configurable frequency and gain settings for simple set-up
- Intuitive PC-based software to assist in troubleshooting
- Microprocessor-based with electronic self-check for SIL3 applications
- Durable housing for a variety of operating environments
- Independently adjustable Flame-On and Flame-Off response times: 1-6 sec.
- Reliable 0/4-to-20 mA flame intensity output

Operating Environment

- Temperature: -20°C (-4°F) to +70°C (158°F)
- Relative humidity: 0% to 95% non-condensing
- Environmental protection rating: IP 65, NEMA 4X
- Hazardous rating: II 3 G Ex nA IIC T4
- Weight: 3.3 Lbs (1.5 kg)
- Mounting: 1" NPT F (BSP available)
- Housing material: aluminum, painted finish
- Cable: quick disconnect, 8 conductor cable



BURNERS



FLARES

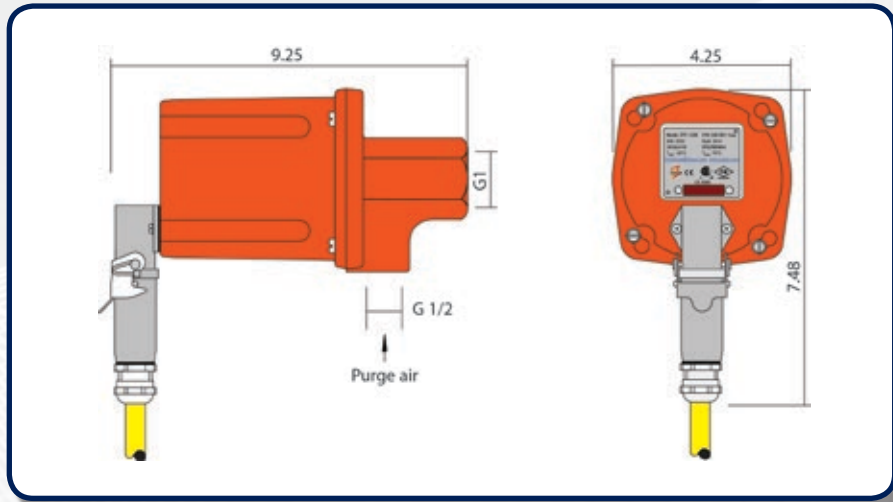


INCINERATORS



PARTS & SERVICE

ZPF-1200UV / ZPF-1200IR / Model ZPF-1200DS



Operating Parameters - Input

Input voltage

Supply voltage: 24V dc, +10%-15%

Power consumption: 4 W

Purge air

Cool, dry, clean air: 5 scfm (142 l/min) at 5" wc (12.5 mbar) above windbox or furnace pressure (sight tube exit point), ≤ 38°C (100°F) at wye fitting

Operating Parameters – Output

Output relay: SPDT, Flame-On is the N.O. contact and Flame-Off is the N.C. contact

Contact rating: 48V dc at 1.0 A

Flame intensity output: 0/4 to 20 mA referenced to 24V dc common; 250Ω max load resistance

Flame status indication: Yellow LED for local Flame-On indication and Green LED for intensity. Flame signal trending, flame relay, marginal relay, flicker frequency, flame amplitude and raw signal analysis via PC-based scanner software.

ZEECO® combustion and environmental solutions are designed and manufactured to comply with applicable local and international standards as defined by our customers.



REGISTERED
ISO 9001: 2008

CERTIFICATION APPLIES TO ZEECO HEADQUARTERS ONLY.

Zeeco Global Headquarters

22151 East 91st Street

Broken Arrow, Oklahoma 74014 USA

Phone: +1 918 258 8551

Fax: +1 918 251 5519

E-mail: sales@zeeco.com

Zeeco.com

ZEECO® is a registered trademark of Zeeco, Inc. in the U.S.

• ZEECO office, affiliate, sales, representative, or third party representative/licensee offices.

© COPYRIGHT 2015 - ZEECO, INC. ALL RIGHTS RESERVED

